

MiniSmart™ II

Intelligent Smart Card Reader

Easy to Integrate EMV Solution

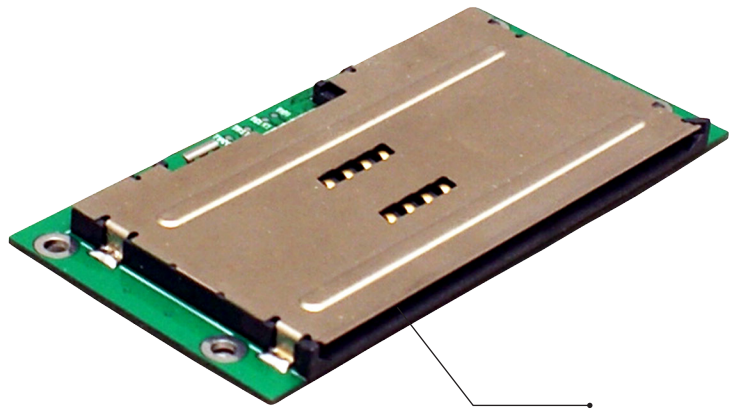
ID TECH's latest EMV module, the MiniSmart II, carries on the tradition of its predecessor, the MiniSmart. Maintaining a compact form factor, along with the familiar supported interfaces of USB, UART, and RS232, the MiniSmart II allows for easy integration into today's payment applications requiring EMV acceptance. With EMV acceptance becoming an international payment standard, the MiniSmart II brings forth a small enough form factor to adapt into a wide variety of space-limited applications.

Secure and Robust EMV Level 1 and Level 2 Module

Its robust design features durable contacts tested to over 500,000 cycles, which are integrated within the MiniSmart II's engineering plastics suitable for today's most intensive payment applications. The MiniSmart II features EMV Level 1 and Level 2 certification. Remote key injection is also available and supported with the MiniSmart II.

Features and Benefits:

- Small form factor
- Designed tough- 500,000+ operations on all components
- Simplifies integration of Smart Cards into Applications
- Operates with ISO 7816 microprocessor
- Smart Card transfer rates- 9600 to 115200 bps
- Serial host interface link- RS232, UART, and USB-HID
- Remote key injection available
- Supports TDES and AES encryption algorithms
- EMV Level 1 and EMV Level 2 certified
- Ability to encrypt EMV data



Smart Card Reader

MiniSmart™ II

Specifications:

Electrical

Power Requirements: 4.5 VDC to 5.5 VDC, 12mA Max. w/no ICC
Power Down: 100 μ A max in power down w/no ICC
ICC Interfaces (Compliance): ISO/IEC 7816-1, 2, 3, & 4
ICC Types: Number of cards= 1, Asynchronous, T=0 & T=1
Synchronous (memory) cards (contact factory)
ICC Transmission: 9.6 Kbps to 115 Kbps speeds
ICC Voltage: 5 V
Interface: USB-HID, UART, RS232

Environmental

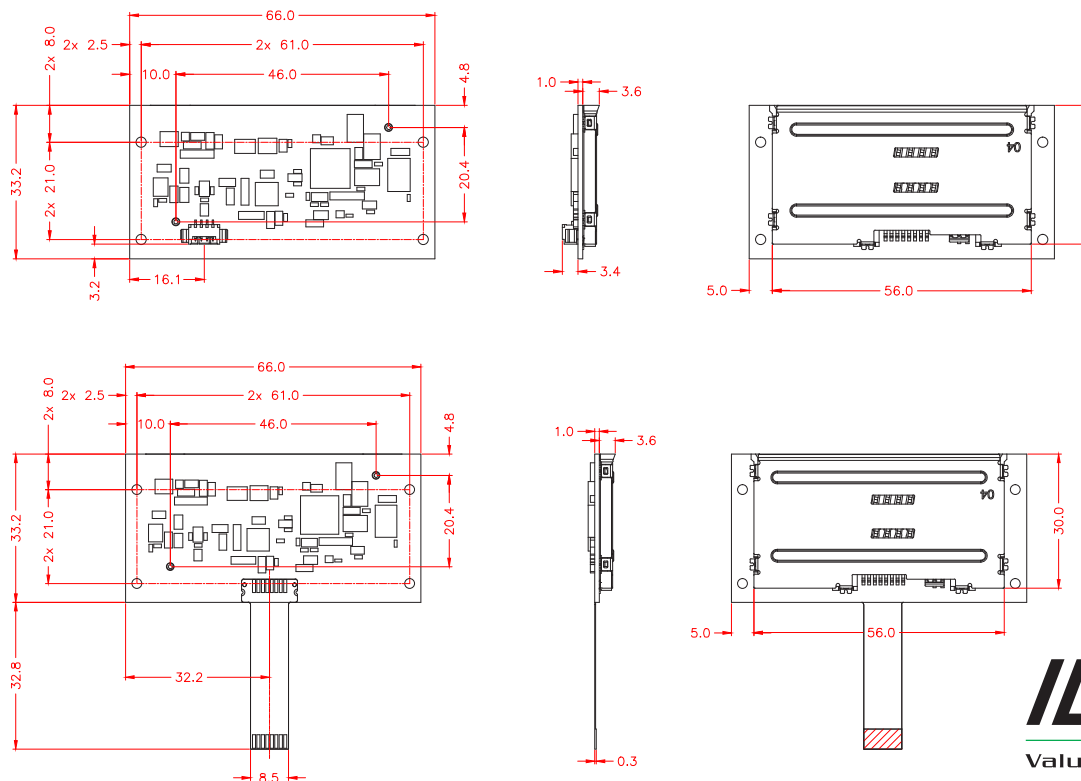
Operating Temperature: 32°F to 131°F (0°C to 55°C)
Storage Temperature: -22°F to 149°F (-30°C to 65°C)
Humidity: Maximum 95% non-condensing, dry storage

Reliability

Operating Life: 500,000 cycles minimum*
MTBF: 300,000 Hours*
ESD Immunity: 4 KV, human body model, ICC contacts
Warranty: One year, parts and labor
* All wear reliability and MTBF are based on operation in a benign environment

Mechanical

Dimension (L)x(W)x(H): 2.60 inches (66 mm) x 1.31 inches (33.2 mm) x .32 inches (8mm)
Media Thickness: 0.03 Nominal (0.025min.; 0.035 inches max.)
Card Seated Switch: ICC fully seated sensor
Footprint:



United States Sales Office

Corporate Headquarters

10721 Walker Street
Cypress, CA 90630
Phone: (714) 761-6368
Toll Free: (800) 984-1010
Fax: (714) 761-8880
sales@idtechproducts.com

International Sales Offices

Asia

+866-3-496-6988 (Taiwan)
asia@idtechproducts.com.tw

Canada

+450-465-5261
robertop@idtechproducts.com

South America

+55-11-3079-2255
internationalsales@idtechproducts.com

Europe

Germany & United Kingdom
emea@idtechproducts.com

ISO 9001 Certified



Value through Innovation

www.idtechproducts.com